

FIRST SOLAR SERIES 4™

MOUNTING SOLUTIONS

GameChange offers a mounting solution for the high performing, high efficiency First Solar Series 4™ module. First Solar Series 4™ modules are held on top of each pair of purlins in landscape configuration. This configuration can be installed on the Genius Tracker™, MaxSpan™ Post Driven Fixed Tilt Systems, and Pour-in-Place™ Ballasted Ground Systems.

The GameChange First Solar module configurations help improve energy production by increasing the module density on each table.

Purlins are used to support modules at their prescribed mounting locations.

Modules are in landscape orientation as required by First Solar.

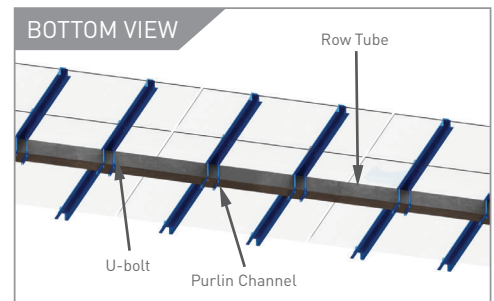
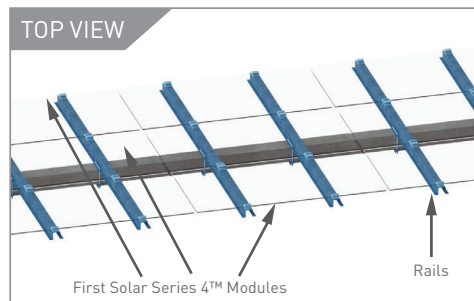
Optimized hat shape to support modules.

Purlins fit standard top mount clamps pre-approved for First Solar Series 4™ Modules.

Preassembled purlin assembly for speedy installation.

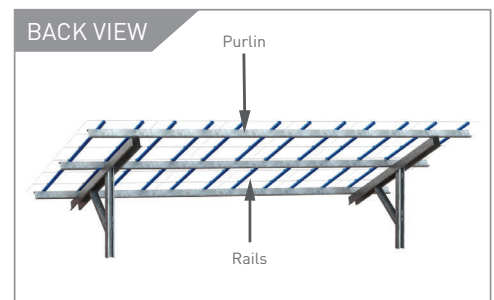
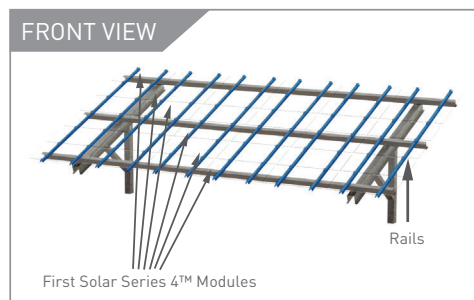
GENIUS TRACKER™ SINGLE-AXIS SYSTEM

3UP Configuration
4UP Available



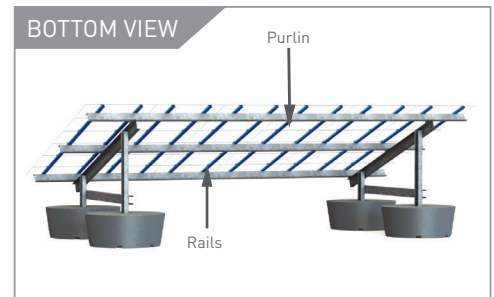
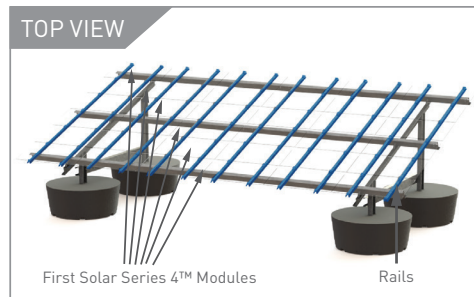
MAXSPAN™ POST DRIVEN FIXED TILT SYSTEMS

6UP Configuration
8UP Available



POUR-IN-PLACE™ BALLASTED GROUND

6UP Configuration
8UP Available





GENIUS TRACKER™ World's Fastest Installing Single Axis Solar Tracker



MAXSPAN™
Best Quality & Priced Post Driven Fixed Tilt Systems



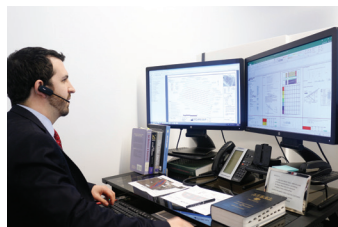
POUR-IN-PLACE™
BALLASTED GROUND SYSTEM
Landfill Leader & Best Solution for Rocky Sites

**BANKABLE QUALITY
VALUE PRICING**

GameChange Solar is driven by its mission to repower the planet with clean solar energy. We do our part by driving fixed tilt racking and tracker equipment costs lower. With over 10 GW sold, GameChange systems combine fast install, bankable quality and unbeatable value through superior engineering, innovative design and high volume manufacturing.



Best in Class
Customer Service Team



Superior Engineering in Structural,
Civil, Mechanical & Electrical



In-House Logistics
for On Time Deliveries



One Stop Solution for Geotech
and Pull Test Services



**GameChange Solar
Capital Intro™**
Project Financing Introductions

GameChange Solar works with IPP's, Private Equity Firms and utilities that invest in and own projects. We introduce them to developers and EPCs who have projects to build. This enables more projects to be financed and built, furthering our mission to repower the planet with cleaner energy.

GameChange Solar's Capital Intro™ program currently has over \$20 billion in available capital from multiple sources.

**TOGETHER
LET'S REPOWER
THE PLANET**

HEADQUARTERS:
152 W 57th Street 44th FL.
New York, NY 10019, USA
Phone: +1 (212) 388-5160
gamechangesolar.com
media@gamechangesolar.com

RESEARCH & DEVELOPMENT CENTER:
Brimfield, Massachusetts, USA

EUROPE OFFICES:
Dublin, Ireland
Zug, Switzerland
Madrid, Spain

ASIA OFFICES
Wuxi, China
Mumbai, India

