



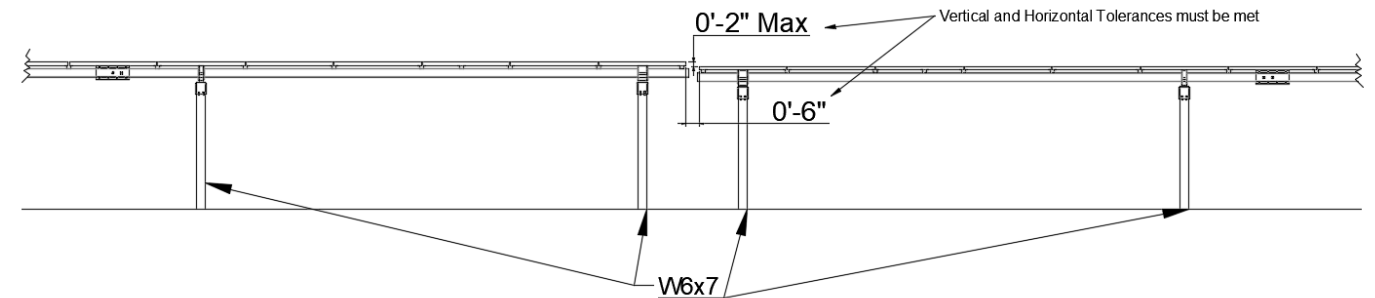
# Genius Tracker Post Tolerances and Adjustability

Anthony Assal  
Project Manager / Engineer

# Independent Tables Eliminate Vertical and Horizontal Tolerance Issues

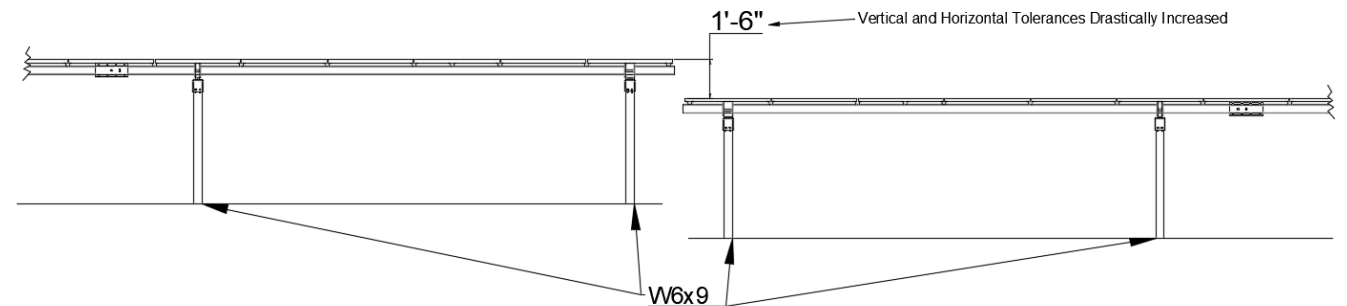
## Closely aligned tables

- More Cost effective



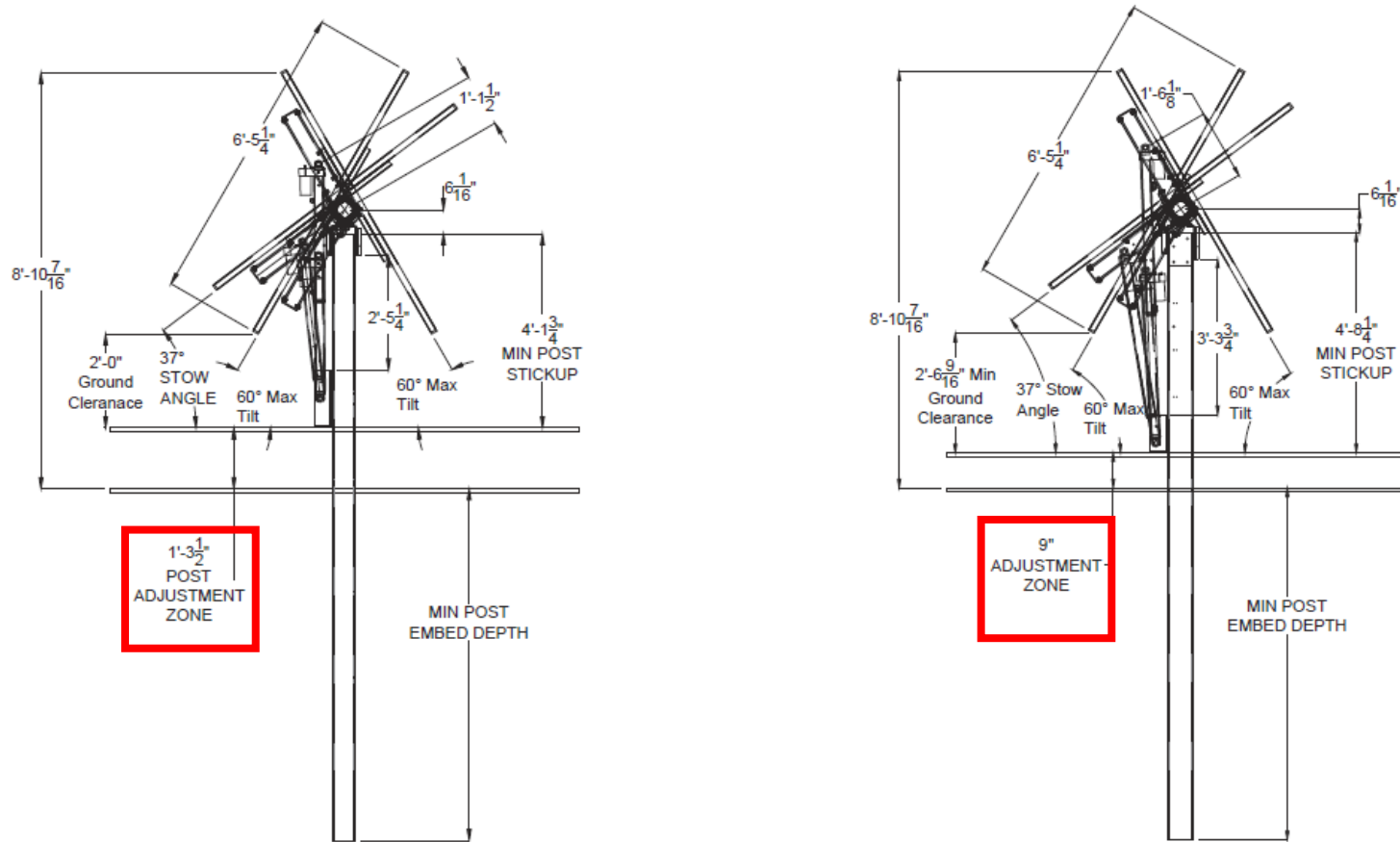
## Independent tables

- Higher cost for exterior posts with bigger sections
- Added cost for more heavier purlins
- Tables should drop to South – no shading impact



DISCLAIMER: GameChange Solar provides this documentation without warranty in any form either expressed or implied. GameChange Solar may revise this document at any time without notice.

# GC2008 vs GC2005 Actuator Increases Center Post Tolerance by 75%



DISCLAIMER: GameChange Solar provides this documentation without warranty in any form either expressed or implied. GameChange Solar may revise this document at any time without notice.

# Topography Analysis Provided to Optimize Design

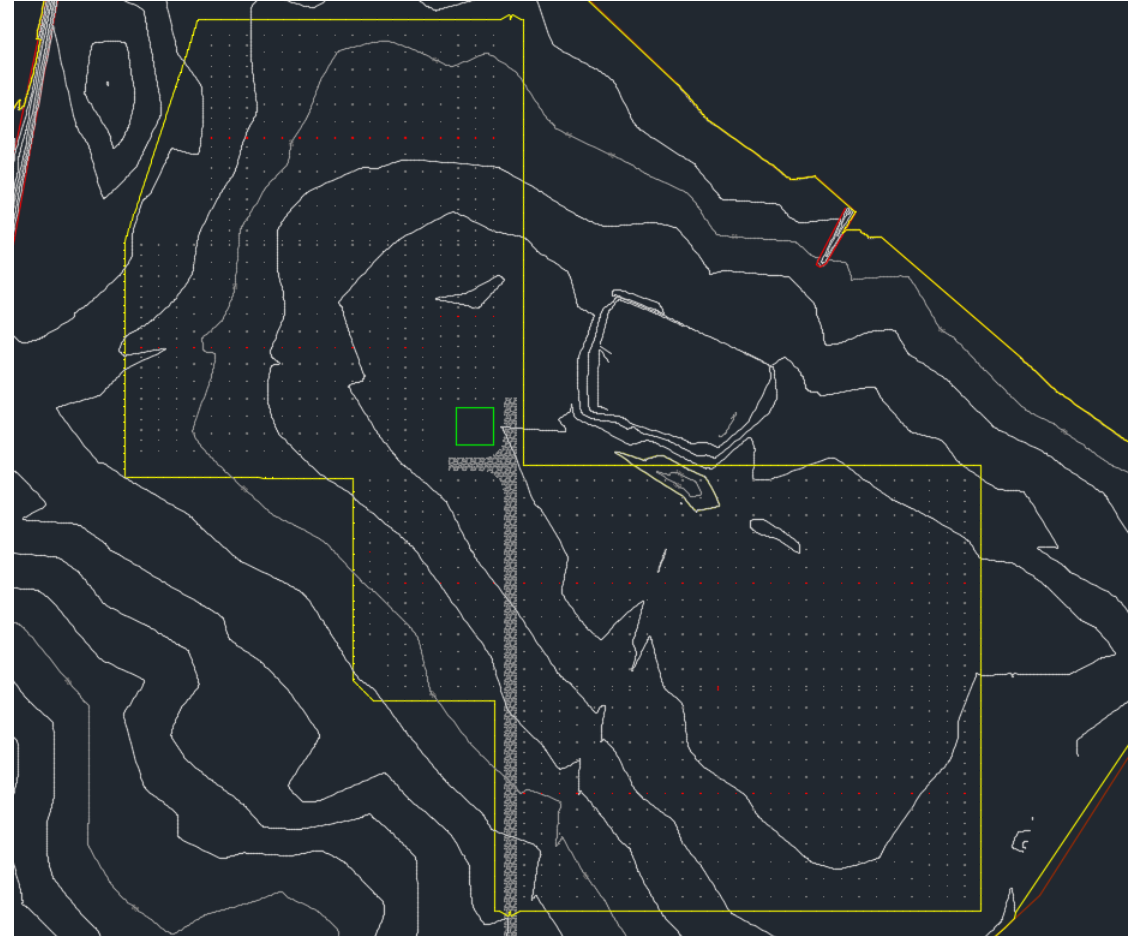
- Use of AutoCAD® Civil 3D / Excel to analyze interaction of topography with post adjustment
- Visual representation of post alignment within tables / rows
- GameChange provides longer pile designs for valleys to minimize grading costs
- Coordination to determine areas to focus grading efforts
- Pile Driving
  - Northing, Easting, Top of Pile Elevations

DISCLAIMER: GameChange Solar provides this documentation without warranty in any form either expressed or implied. GameChange Solar may revise this document at any time without notice.

# Topography Analysis Provided to Optimize Design

## Requirements

- Topography data
  - Contour lines (1 ft)
    - Acceptable for first pass, not recommended for final design
  - Point files (.csv, .txt, etc)
  - Surface .xml files
- Covers entirety of site
  - No interpolation
- Final graded design
- Representative of field conditions



DISCLAIMER: GameChange Solar provides this documentation without warranty in any form either expressed or implied. GameChange Solar may revise this document at any time without notice.

# Topography Analysis Provided to Optimize Design

## Excel Analysis

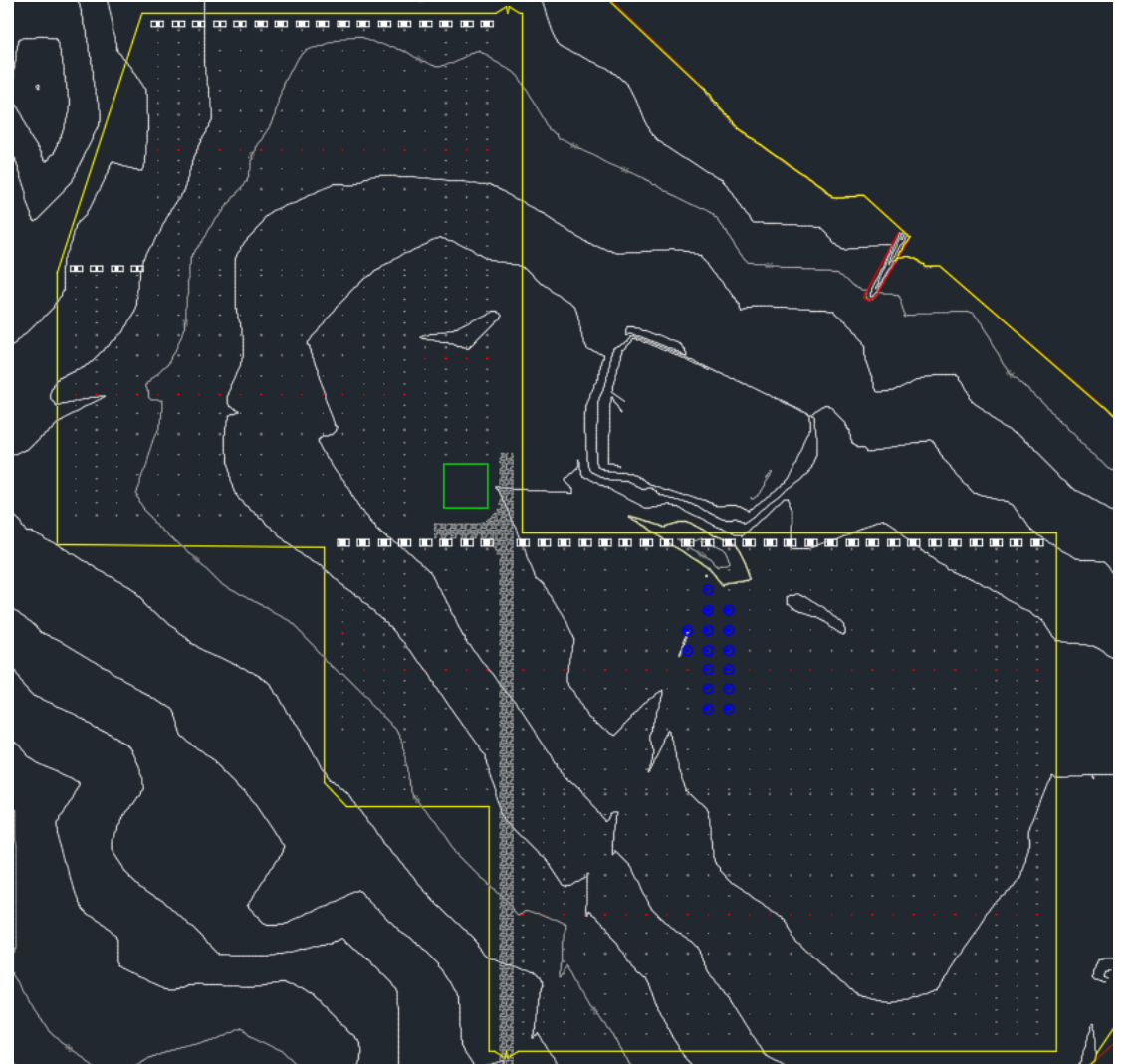
Row	Table	Easting (ft)	Northing (ft)	Ground Elevation (ft)	Min Post Elevation	Max Post Elevation	Final Post Elevation	Overmax	Reveal
1	1	2245834.77	688244.37	93.14	97.48	98.58	98.06	0.00	4.92
1	1	2245834.77	688232.37	93.14	97.48	98.58	98.13	0.00	4.99
1	1	2245834.77	688220.38	93.21	97.55	98.65	98.20	0.00	4.99
1	1	2245834.77	688208.38	93.3	97.64	98.74	98.28	0.00	4.98
1	1	2245834.77	688196.38	93.42	97.76	98.86	98.35	0.00	4.93
1	1	2245834.77	688184.38	93.55	97.89	98.99	98.42	0.00	4.87
1	1	2245834.77	688172.39	93.69	98.03	99.13	98.49	0.00	4.80
1	1	2245834.77	688160.39	93.85	98.19	99.29	98.56	0.00	4.71
1	1	2245834.77	688148.39	94	98.34	99.44	98.63	0.00	4.63
1	1	2245834.77	688136.39	94.01	98.35	99.45	98.70	0.00	4.69
1	1	2245834.77	688125.71	94	98.69	99.44	98.77	0.00	4.77
1	1	2245834.77	688115.02	94	98.34	99.44	98.83	0.00	4.83
1	1	2245834.77	688103.03	94.07	98.41	99.51	98.90	0.00	4.83
1	1	2245834.77	688091.03	94.19	98.53	99.63	98.97	0.00	4.78
1	1	2245834.77	688079.03	94.28	98.62	99.72	99.04	0.00	4.76
1	1	2245834.77	688067.03	94.35	98.69	99.79	99.12	0.00	4.77
1	1	2245834.77	688055.03	94.41	98.75	99.85	99.19	0.00	4.78
1	1	2245834.77	688043.04	94.4	98.74	99.84	99.26	0.00	4.86
1	1	2245834.77	688031.04	94.39	98.73	99.83	99.33	0.00	4.94
1	1	2245834.77	688019.04	94.38	98.72	99.82	99.40	0.00	5.02
1	1	2245834.77	688007.04	94.37	98.71	99.81	99.47	0.00	5.10

DISCLAIMER: GameChange Solar provides this documentation without warranty in any form either expressed or implied. GameChange Solar may revise this document at any time without notice.

# Topography Analysis Provided to Optimize Design

## CAD Output

- Row Label
  - Table & Post Label
- Locations of areas of concern
  - Amount over max stickup
- Need for section change
- Adjusted coordinates to account for topography

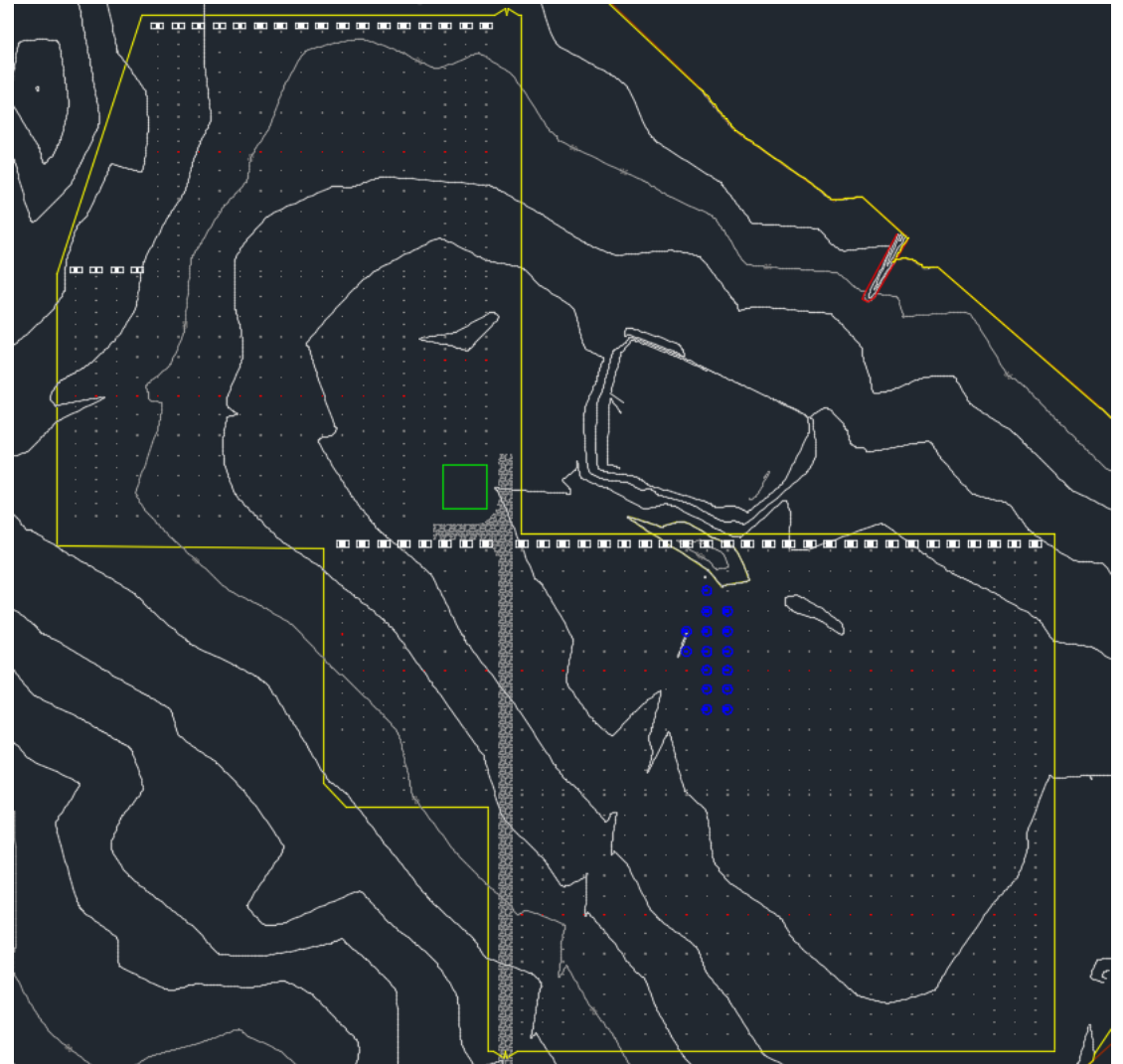


DISCLAIMER: GameChange Solar provides this documentation without warranty in any form either expressed or implied. GameChange Solar may revise this document at any time without notice.

# Topography Analysis Provided to Optimize Design

## Example

- 15 Posts of out 1,473
  - Max ~ 6.0"
  - 2 Center Posts / 13 Standard Posts
- North mound responsible
- Need for section change
- Post Extender / Increase SKU to include longer post

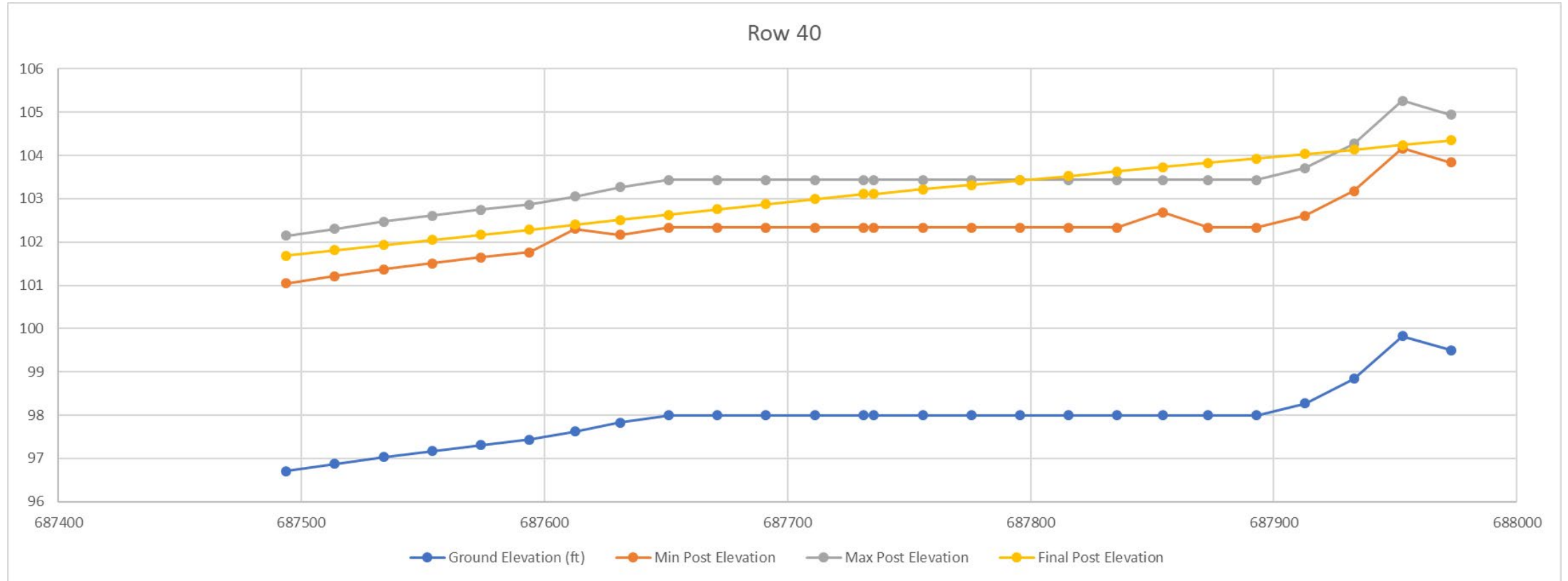


DISCLAIMER: GameChange Solar provides this documentation without warranty in any form either expressed or implied. GameChange Solar may revise this document at any time without notice.



# Topography Analysis Provided to Optimize Design

## Excel Analysis – Chart Output



DISCLAIMER: GameChange Solar provides this documentation without warranty in any form either expressed or implied. GameChange Solar may revise this document at any time without notice.