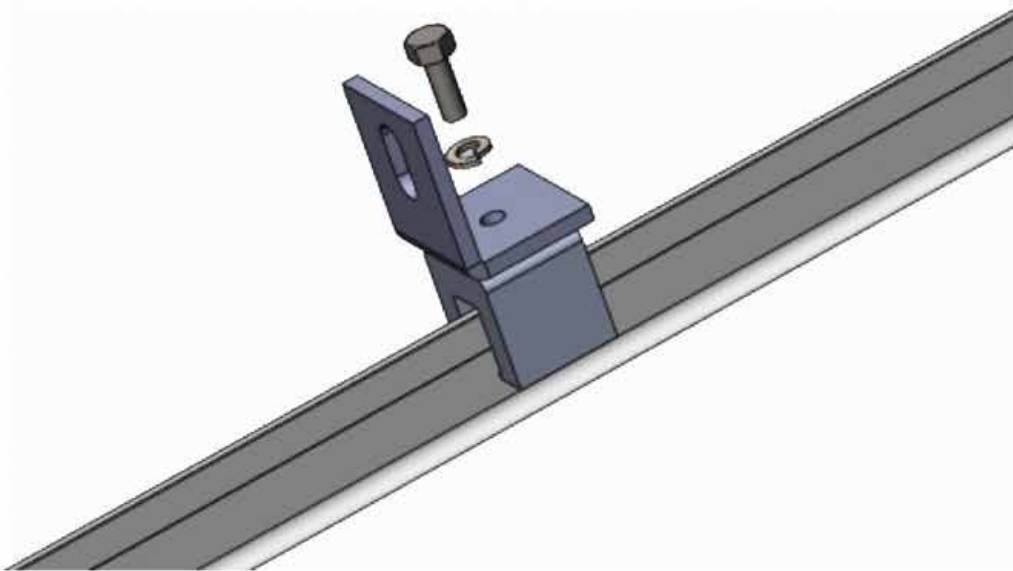


SOLARPRO

the WIRE

Industry Currents

## GameChange Racking Announces Standing Seam Products



**(New York)** The GC Standing Seam Roof System is the most recent addition to GameChange Racking's product portfolio. Designed for both rail-mounted and direct-mount railless PV arrays, GameChange offers seam clamps for all standard standing seam roofing profiles. The Rail Mount option includes seam clamps, L-feet, aluminum rails, bonding jumpers, self-grounding module clamps and all hardware. The Direct Mount system substitutes module mounting plates for L-feet and rails. Both systems are rated for 130mph wind loads and 60 psf snow loads, and they carry a 20-year warranty. Testing to UL/2703 is in progress.