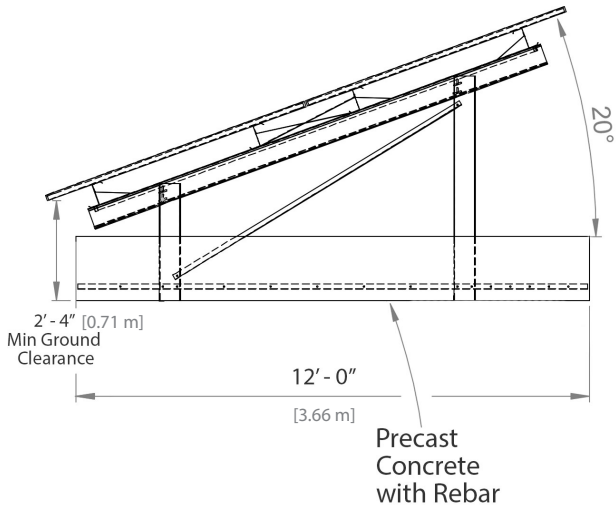


## Technical Data Sheet



Available in both 1 & 2 panels up in portrait

Industry's longest spans and fewest foundations:  
as few as 190 per MW

Supports all poly and thin film panels for all vendors

Foundations may be precast at site or  
nearest precast location

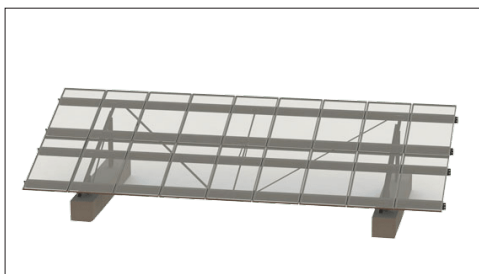
Integrated grounding and wire management

Full layout and engineering analysis for every project

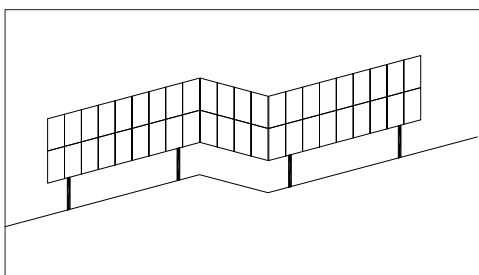
Fast install with up to 8" [200 mm] vertical  
adjustment, including post extender option beyond  
1.35" [34.3 mm] standard slots



## Technical Data Sheet



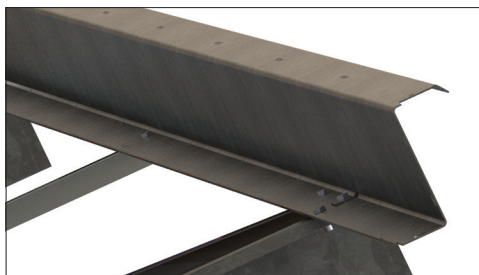
Fast installing solar mounting system for landfill sites



Articulating purlin connections to navigate up to 15% terrain slopes



Slots enable vertical adjustability



Galvanized purlins with large wire management tray

### Features

Up to 4 ft. [1.2 m] high ground clearance to allow for snow and vegetation

5 to 35° tilt with multiple inter-row spacing options

Full layout and engineering analysis for every project

51% overall lower cost than competitors

Integrated grounding and wire management

Up to 8" [200 mm] total vertical adjustability using post extender option including use of integrated slots

Articulating purlin connections to navigate up to 15% terrain slopes

---

### Test & Certification

- Wind tunnel tested by industry leader CPP & rated for 150 mph [67 m/s] wind speed
- Independent assessment by Black & Veatch
- Rated up to 90 psf [4.3 kPa] snow load
- ETL / UL 2703 tested
- Meets IBC and ASME standards for structural loading
- Warranty 20 years

### Calculations

- 100% code compliant designs for any locality
- Structural PE stamped drawings and calculations
- Individual system structural calculations
- Individual system design calculations based on regional load values
- Loads designed according to IBC 2006 or 2009

### Material

- Rail support structure components: G90+ galvanized steel
- Panel mounting rails: G90+ galvanized steel (aluminum also available)
- Recycled HMWPE forms
- 3/8" magnacoat bolts and serrated flange nuts
- Panel mounting hardware: top mount - panel mounting clips: stainless steel FTL / UL 467 teathed clips 1/4" - 20 x 1.5" to 2.5" T bolts, 1/4" - 20 serrated flange nuts: stainless steel bottom mount: 1/4" - 20 x 3/4" T bolts, 1/4" - 20 serrated flange nuts, star washers: stainless steel

### Grounding

- Integrated grounding with star washers or teathed module clamps included - both approved under ETL / UL 2703
- Grounding must be done by electrician at row ends