

8 7 6 5 4 3 2 1

D

C

B

A

D

C

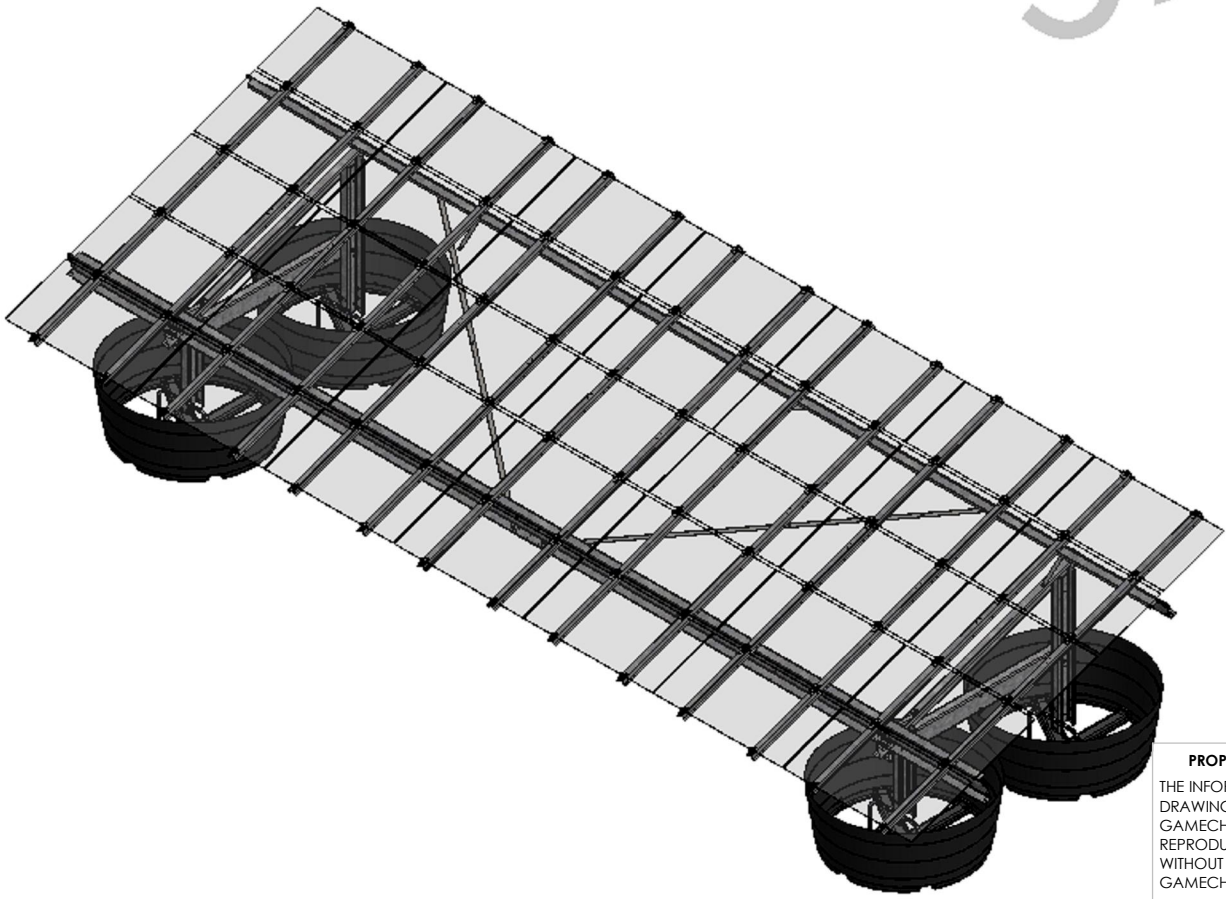
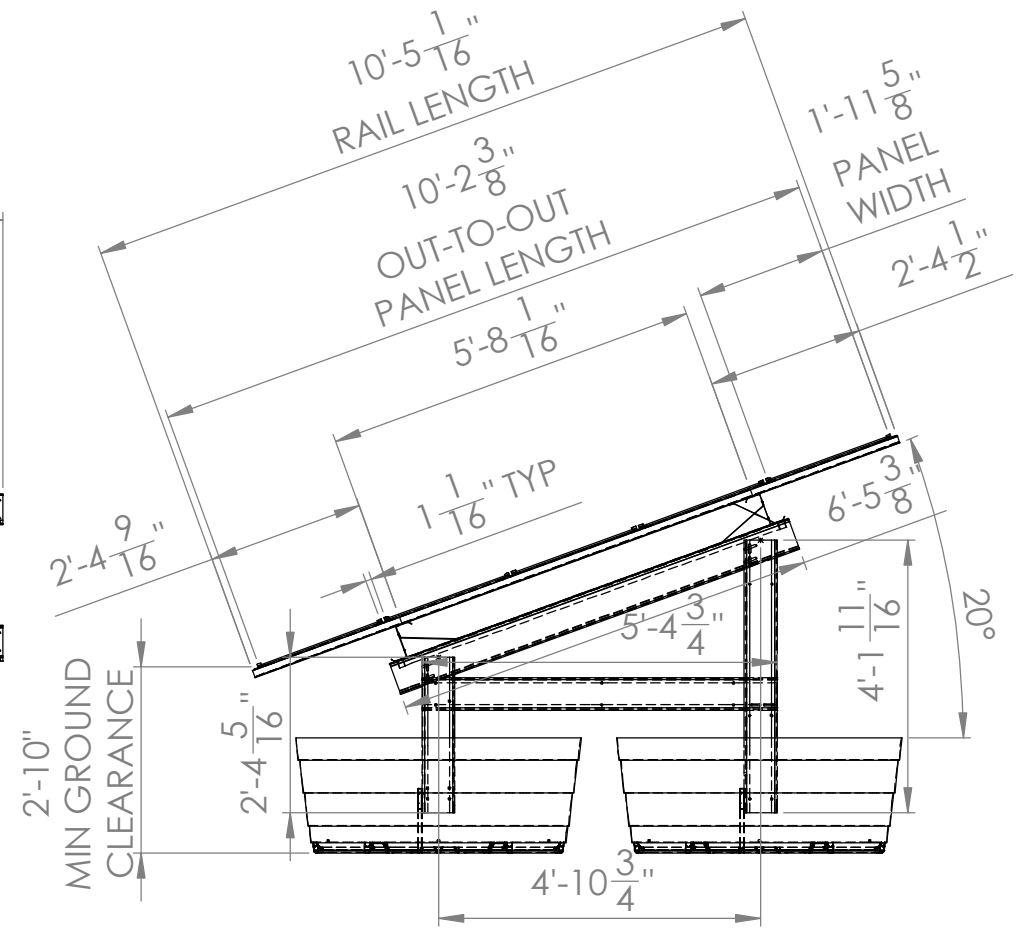
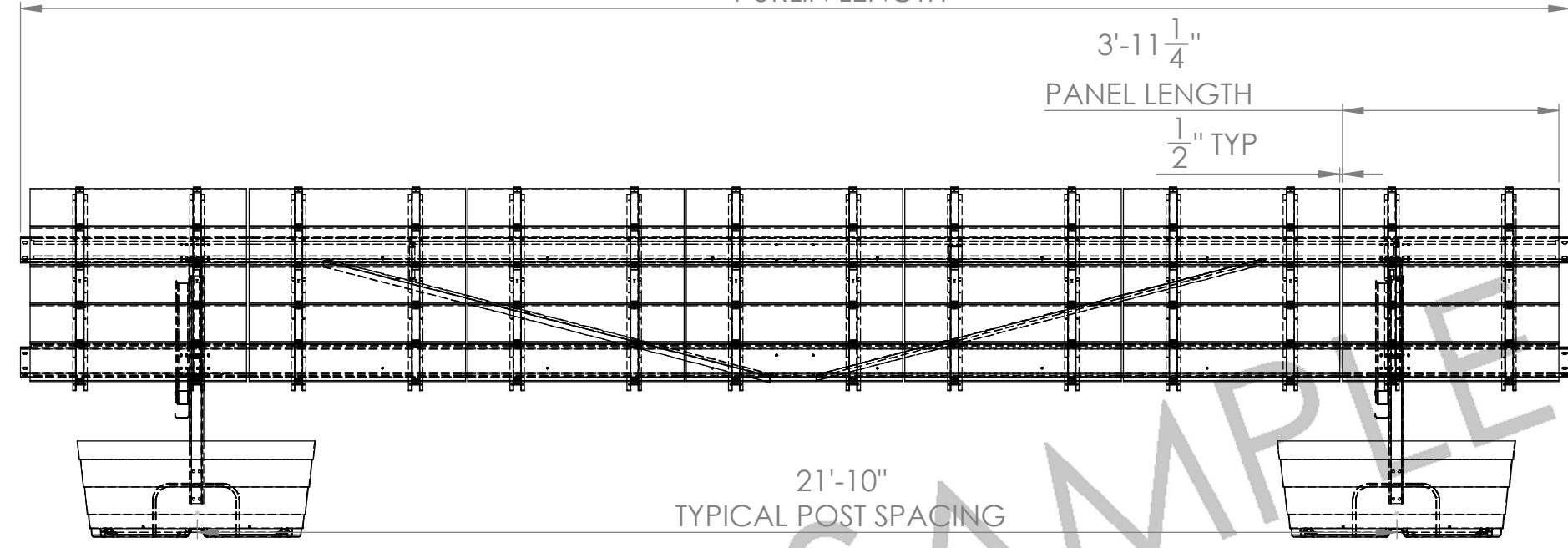
B

A

28'-2³/₁₆"
6 SPAN
PURLIN LENGTH


3'-11¹/₄"
PANEL LENGTH
1/2" TYP

21'-10"
TYPICAL POST SPACING



PROPRIETARY AND CONFIDENTIAL
 THE INFORMATION CONTAINED IN THIS DRAWING IS THE SOLE PROPERTY OF GAMECHANGE RACKING. ANY REPRODUCTION IN PART OR AS A WHOLE WITHOUT THE WRITTEN PERMISSION OF GAMECHANGE RACKING IS PROHIBITED.

		UNLESS OTHERWISE SPECIFIED:		NAME	DATE
		DIMENSIONS ARE IN INCHES		DRAWN	
		TOLERANCES:		CHECKED	
		FRACTIONAL ±1/64		ENG APPR.	
		ANGULAR: MACH ±1 BEND ±1		MFG APPR.	
		TWO PLACE DECIMAL ±.02		Q.A.	
		THREE PLACE DECIMAL ±.005		COMMENTS:	
		INTERPRET GEOMETRIC TOLERANCING PER:			
		MATERIAL			
		FINISH			
NEXT ASSY	USED ON	DO NOT SCALE DRAWING			
APPLICATION					



GAMECHANGE SOLAR
REPOWERING THE PLANET

TITLE:
**Sample GC Pour-in-Place™
 5 UP Ballasted Ground
 Thin Film**

SIZE	DWG. NO.	REV
B	GCPIPTF	
SCALE: 1:35 WEIGHT:		SHEET 1 OF 1

8 7 6 5 4 3 2 1