

8 7 6 5 4 3 2 1

D

C

B

A

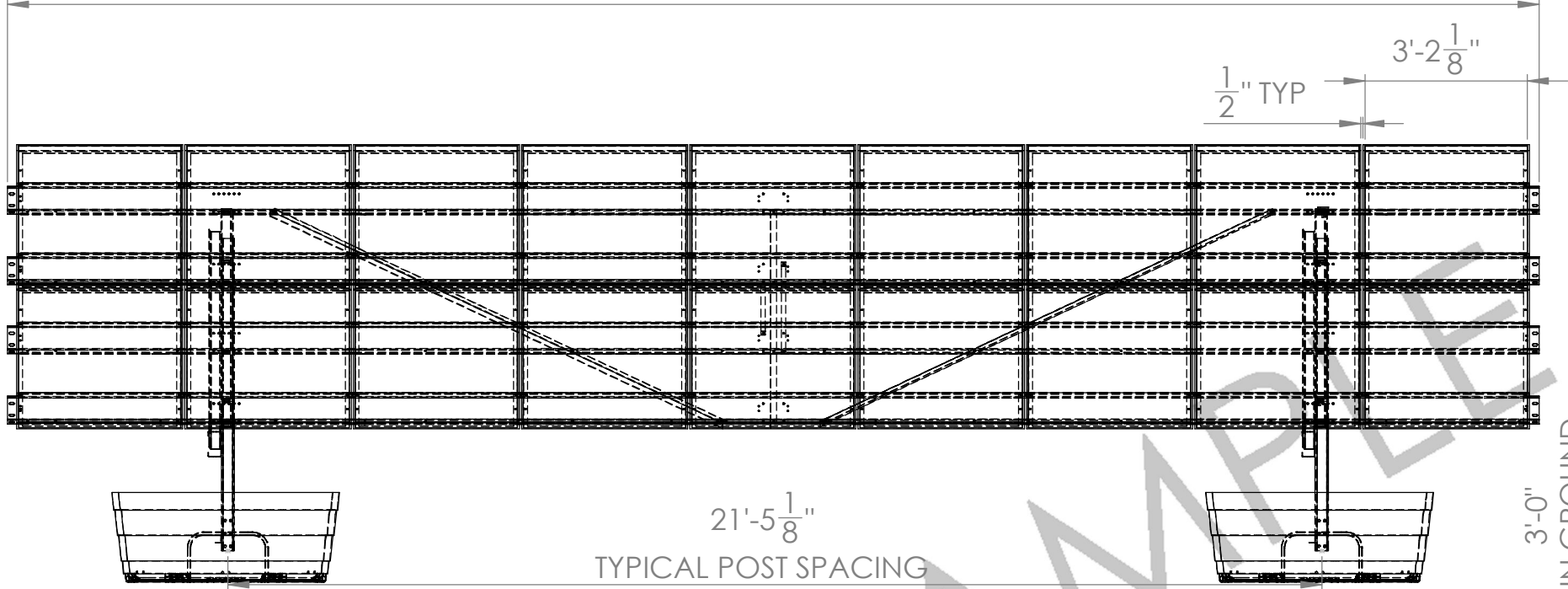
D

C

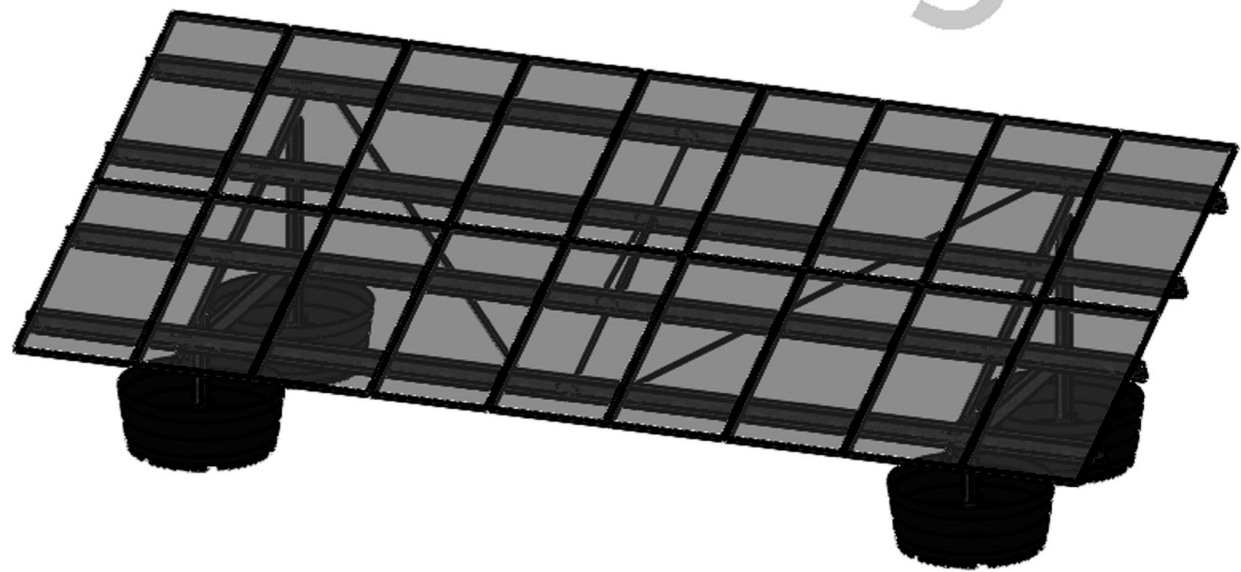
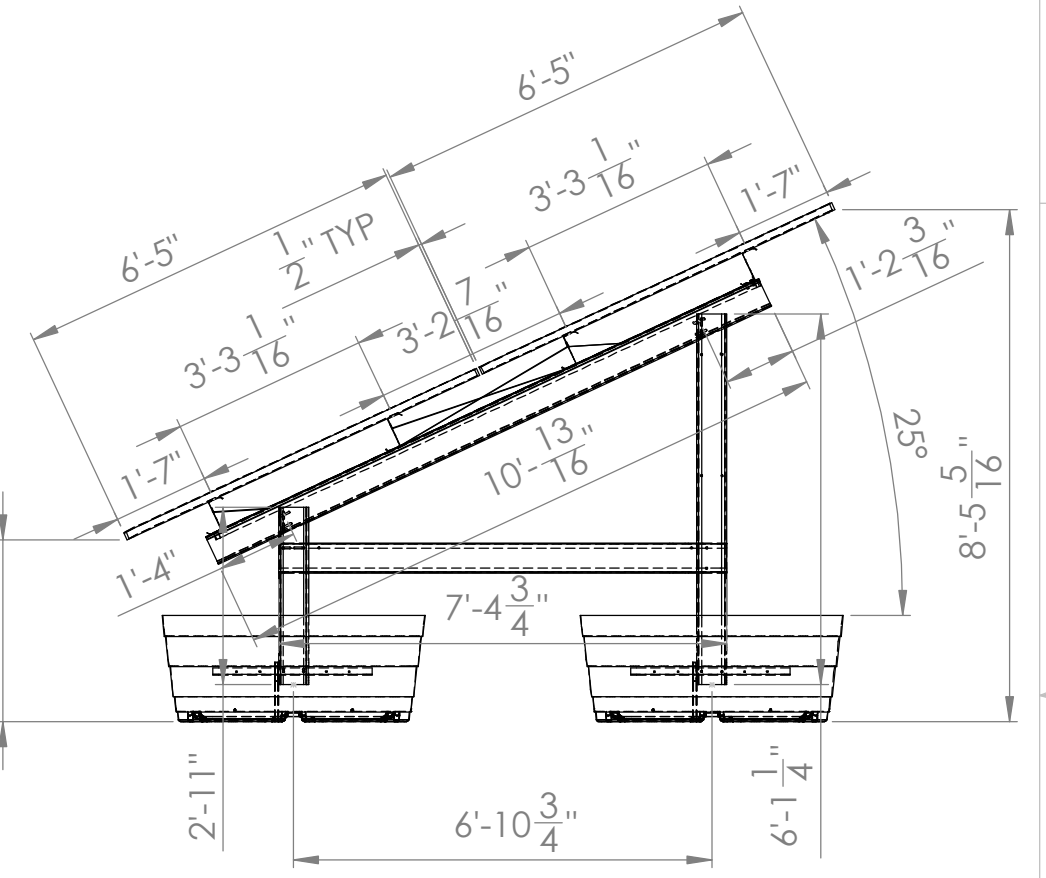
B

A

30'-0"
9 SPAN
PURLIN LENGTH



3'-0"
MIN GROUND
CLEARANCE



PROPRIETARY AND CONFIDENTIAL
THE INFORMATION CONTAINED IN THIS DRAWING IS THE SOLE PROPERTY OF GAMECHANGE RACKING. ANY REPRODUCTION IN PART OR AS A WHOLE WITHOUT THE WRITTEN PERMISSION OF GAMECHANGE RACKING IS PROHIBITED.

| | | | | | |
|---------------------|---------------|--|--------------|---|------|
| | | UNLESS OTHERWISE SPECIFIED: | | NAME | DATE |
| | | DIMENSIONS ARE IN INCHES TOLERANCES: FRACTIONAL ±1/64 ANGULAR: MACH ±1 BEND ±1 TWO PLACE DECIMAL ±.02 THREE PLACE DECIMAL ±.005 | | DRAWN | |
| | | INTERPRET GEOMETRIC TOLERANCING PER: | | CHECKED | |
| | | MATERIAL | | ENG APPR. | |
| | | FINISH | | MFG APPR. | |
| NEXT ASSY | USED ON | | | Q.A. | |
| APPLICATION | | DO NOT SCALE DRAWING | | COMMENTS: | |
| | | | | | |
| | | | | TITLE: | |
| | | | | Sample GC Pour-in-Place™ Ballasted Ground | |
| SIZE | DWG. NO. | | | REV | |
| B | GCPIPS | | | | |
| SCALE: 1:38 WEIGHT: | | | SHEET 1 OF 1 | | |

8 7 6 5 4 3 2 1