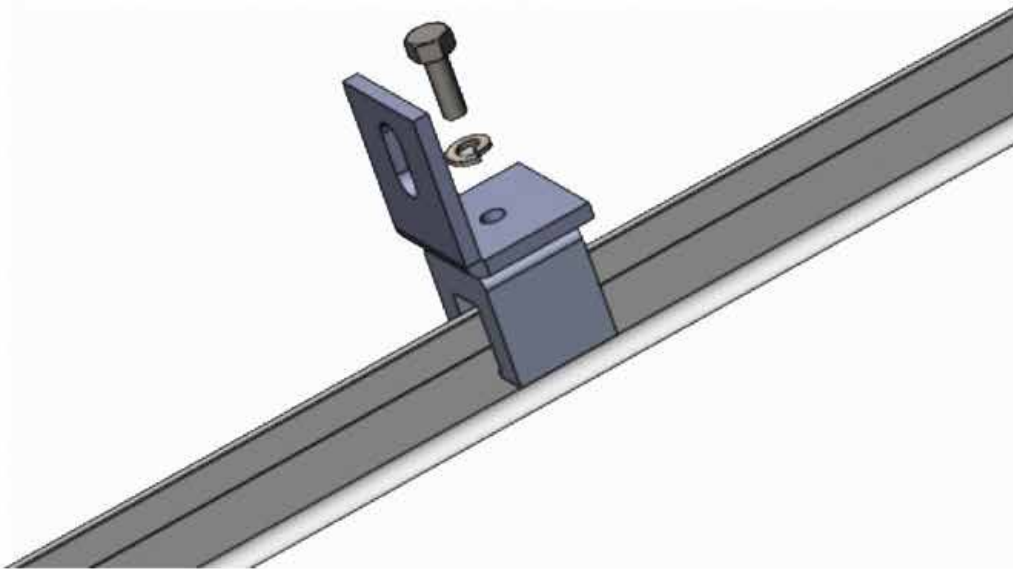


SOLARPRO

the WIRE

Industry Currents

GameChange Racking Announces Standing Seam Products



(New York) The GC Standing Seam Roof System is the most recent addition to GameChange Racking's product portfolio. Designed for both rail-mounted and direct-mount railless PV arrays, GameChange offers seam clamps for all standard standing seam roofing profiles. The Rail Mount option includes seam clamps, L-feet, aluminum rails, bonding jumpers, self-grounding module clamps and all hardware. The Direct Mount system substitutes module mounting plates for L-feet and rails. Both systems are rated for 130mph wind loads and 60 psf snow loads, and they carry a 20-year warranty. Testing to UL/2703 is in progress.